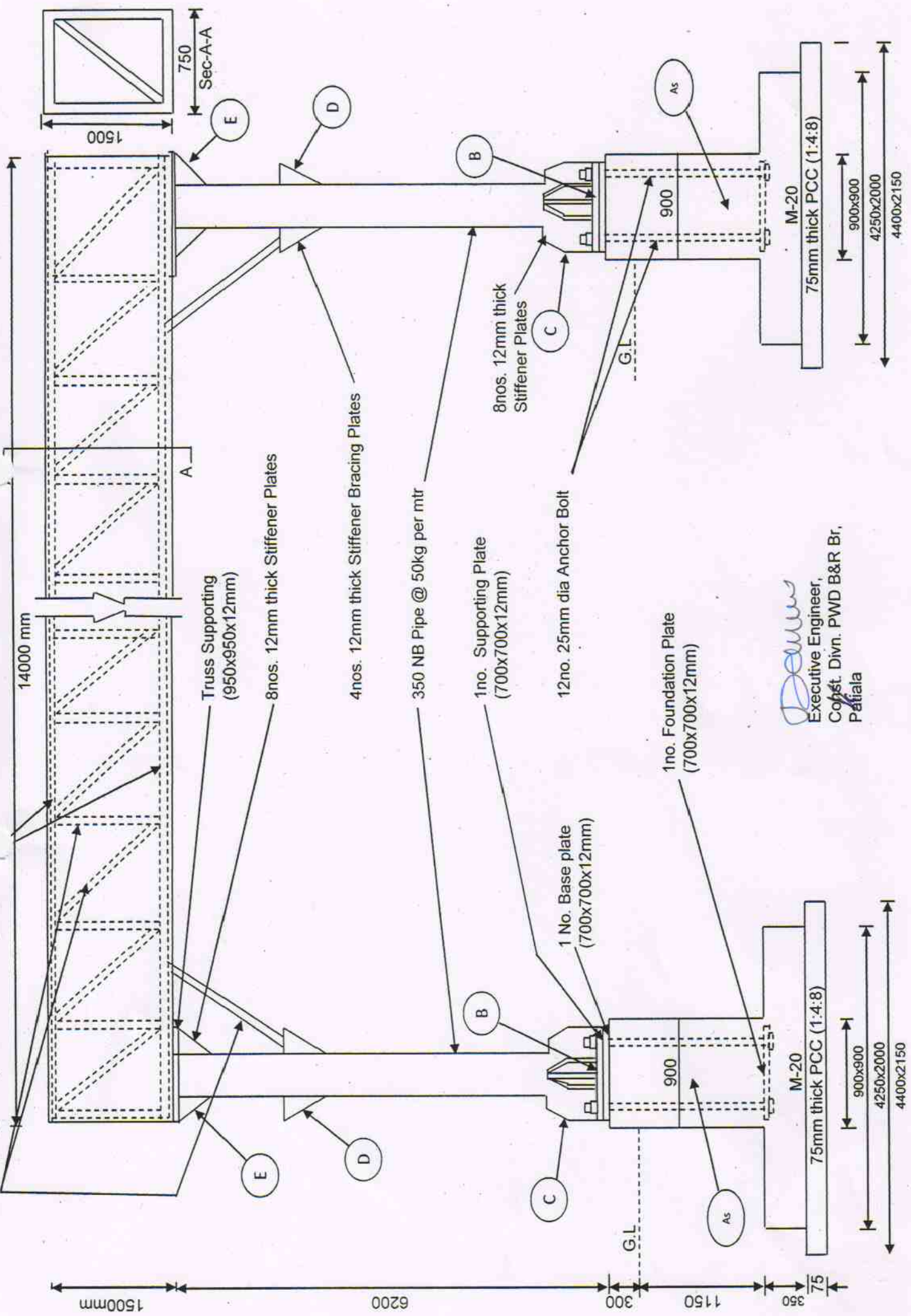
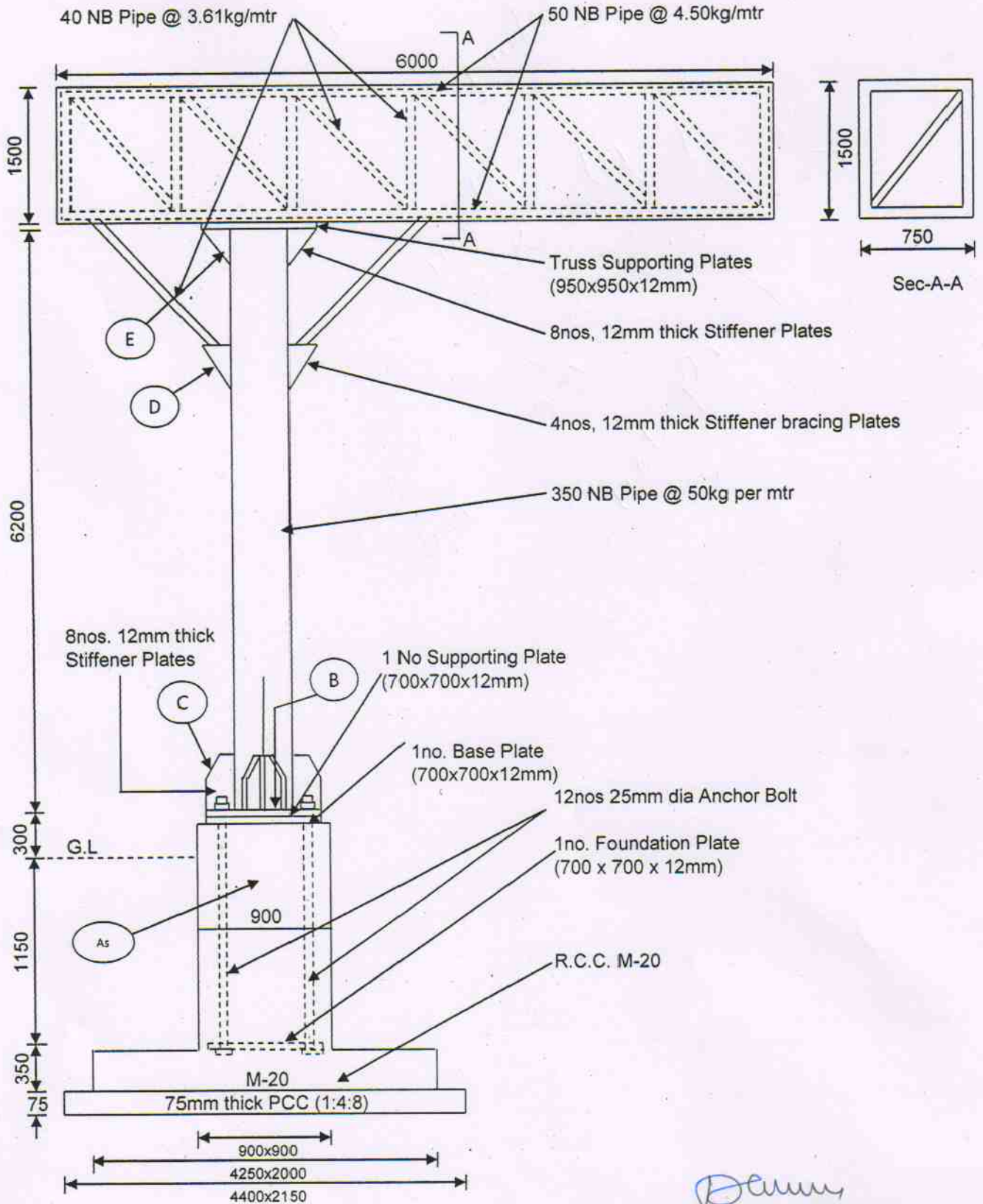


40 NB Pipe @ 3.61kg/mtr 50 NB Pipe @ 4.50kg/mtr Overhead Gantry (Double Sided) Field Sign Board Size 14000x1500mm

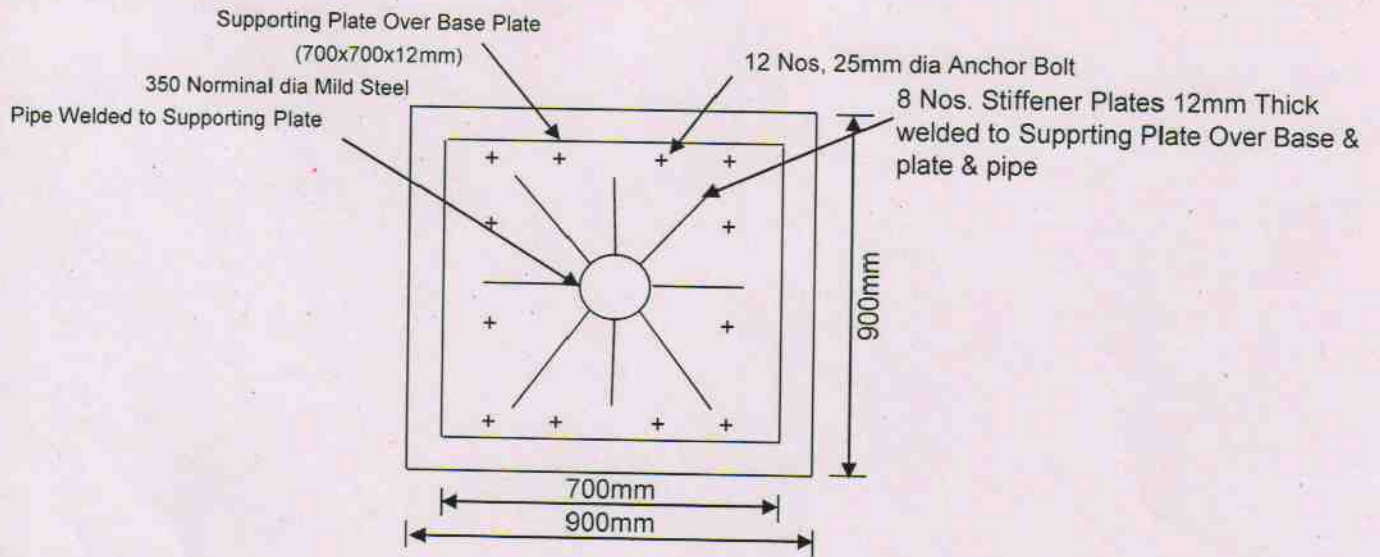


Dewu
 Executive Engineer,
 Const. Divn. PWD B&R Br.,
 Patiala

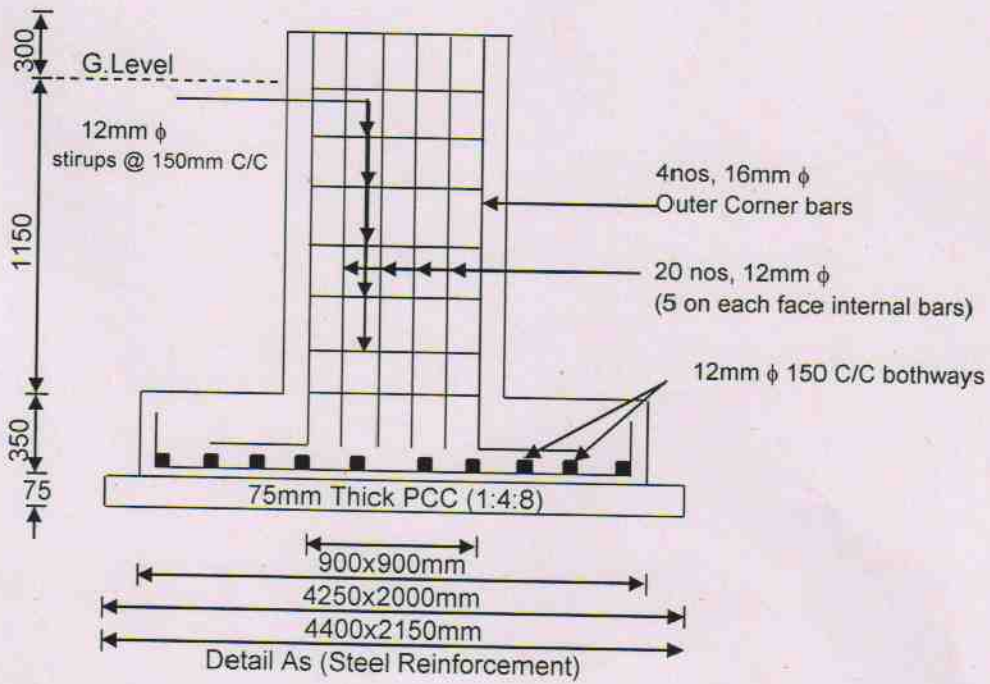
Cantilever Gantry (Double Sided) Road Sign Board Size 6000mmx1500mm



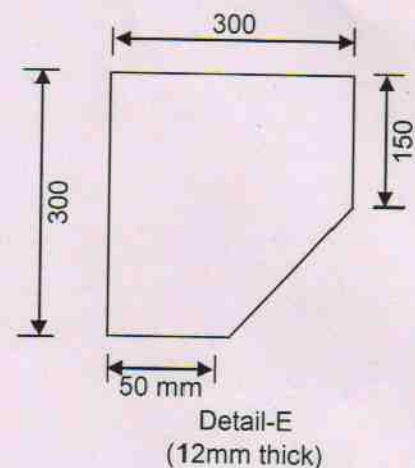
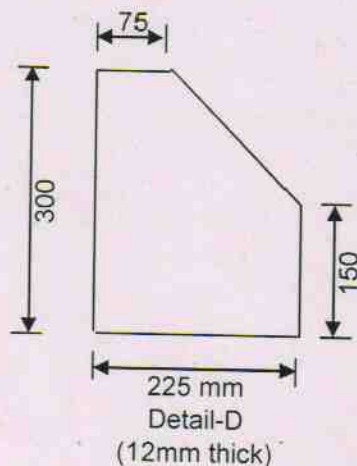
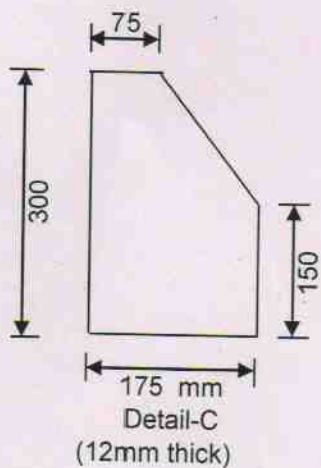
D. Kumar
 Executive Engineer,
 Const. Divn. PWD B&R Br,
 Patiala



Detail-B
(Showing Dimension Only)

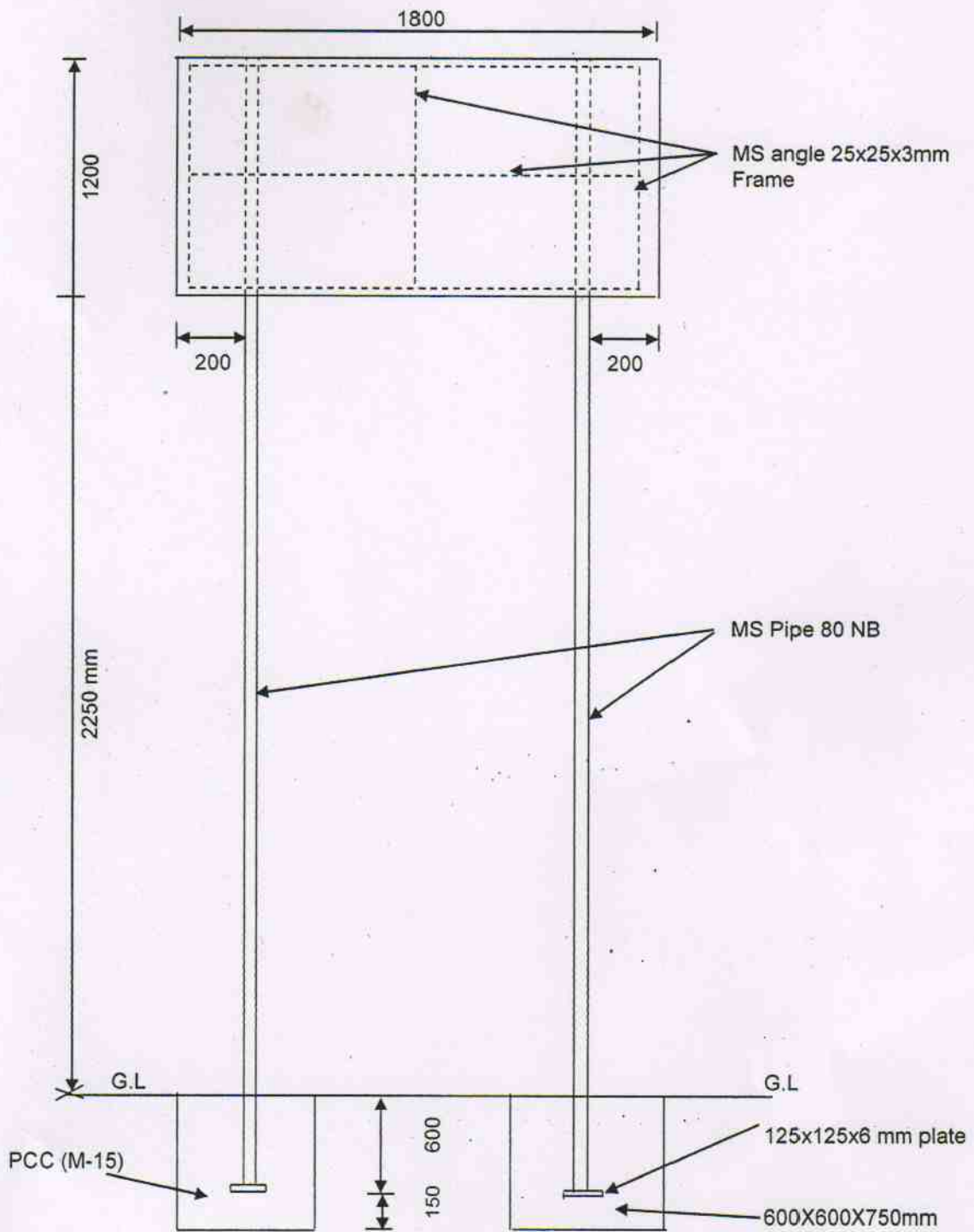


Detail As (Steel Reinforcement)



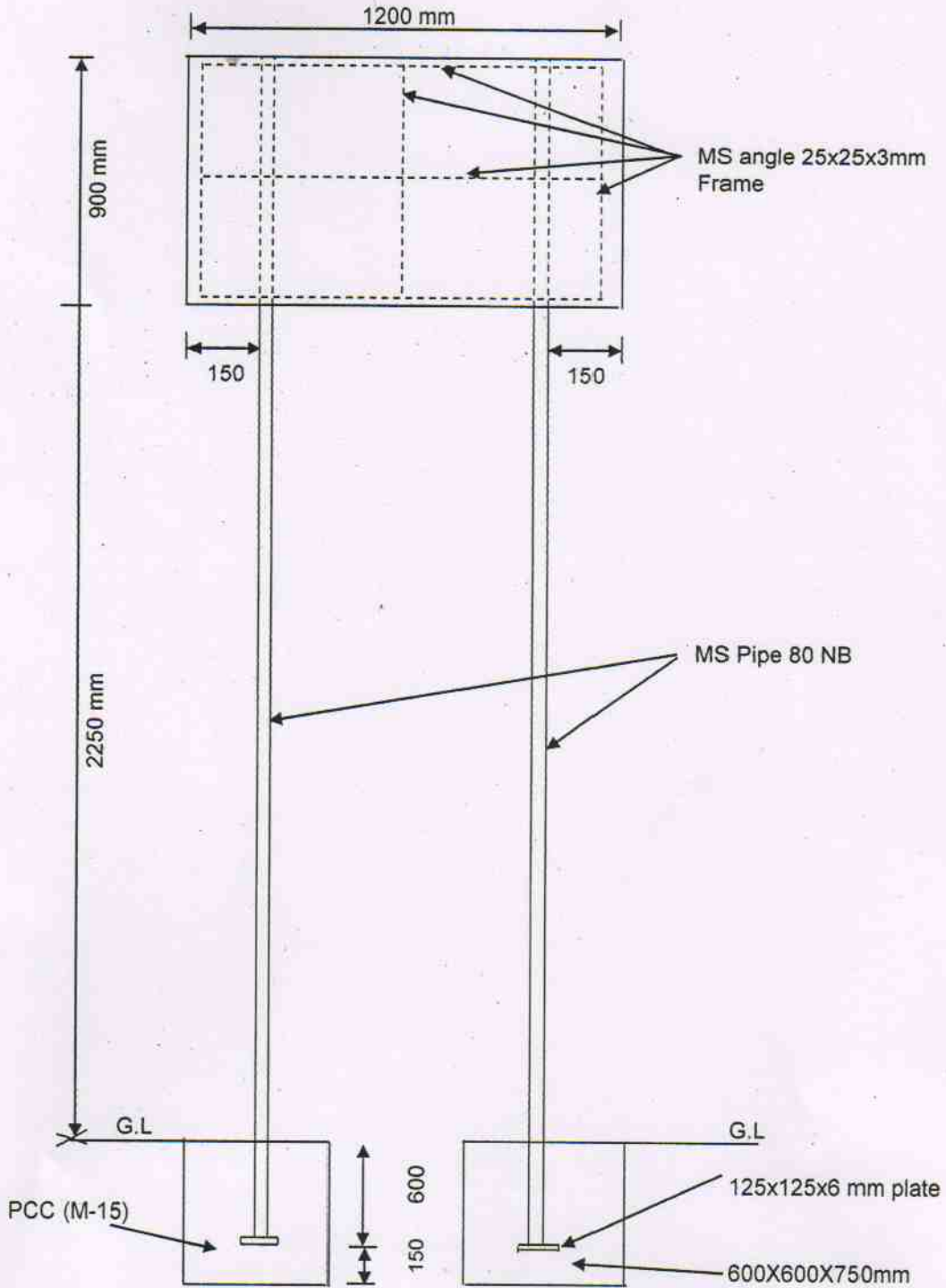
Signature
Executive Engineer,
Construction Division,
P.W.D. (B&R) Br. Patiala.

Advance Destination/Direction Sign Board 1800mmx1200mm (Double Legged)



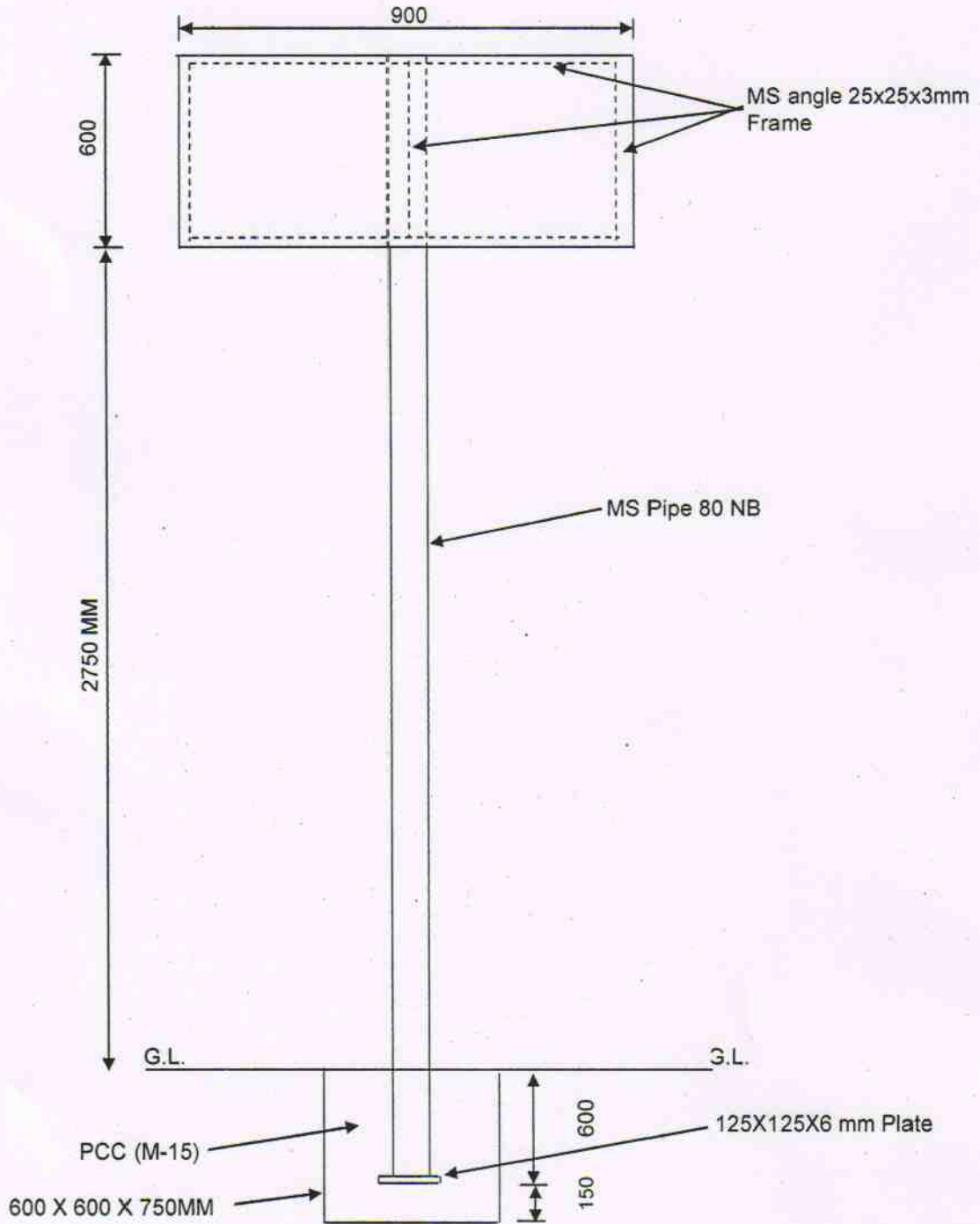
Danu
Executive Engineer
Const. Divn. PWD B&R Br,
Patlipa

Advance Destination/Direction Sign Board 1200mmx900mm (Double Legged)
(To be fixed before off taking point of any Link Road)



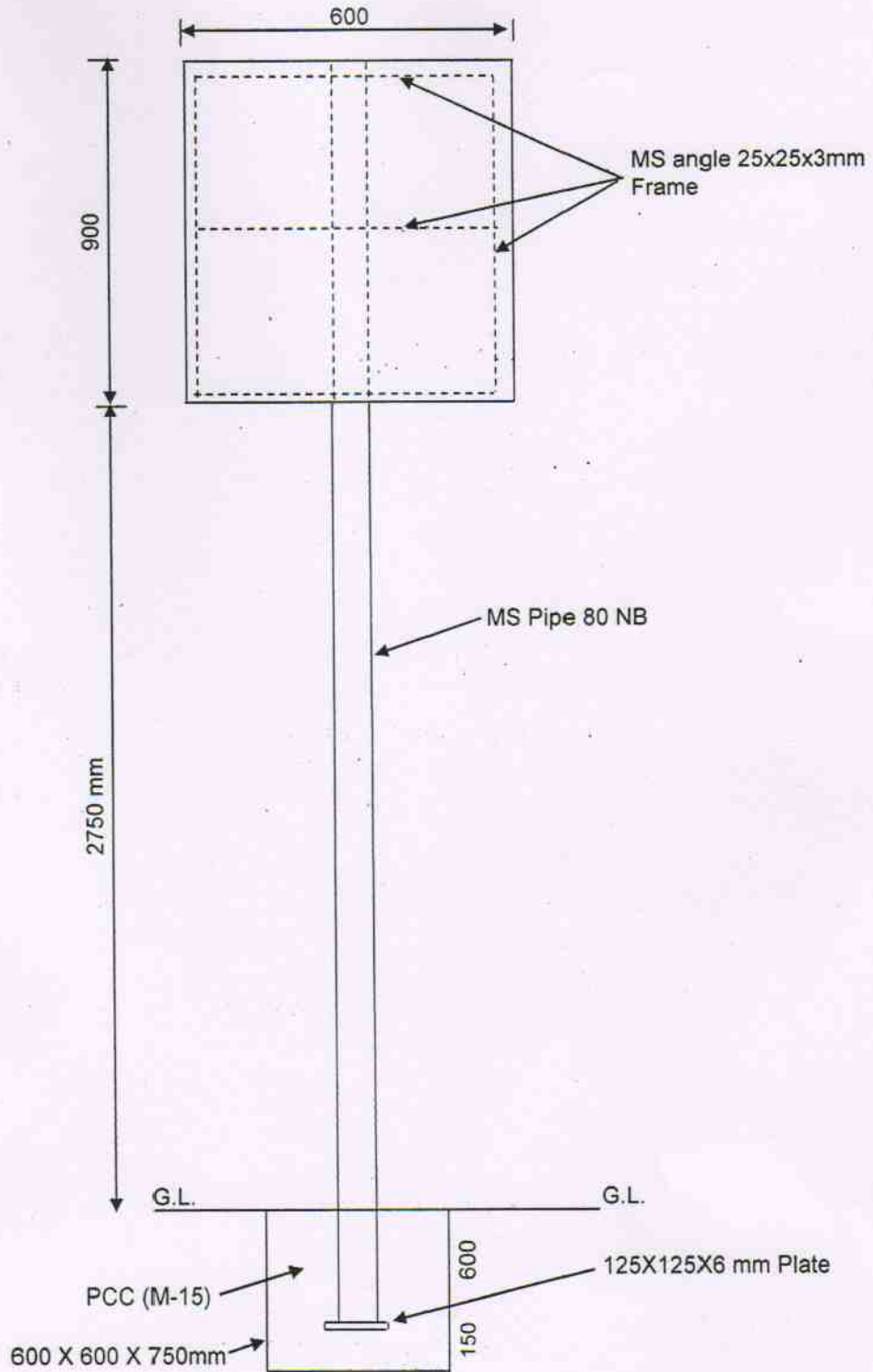
Devi
Executive Engineer
Const. Divn. PWD B&R Br,
Patiala

Single Legged Place Identification Sign Board 900mmx600mm
(Village Board)



[Signature]
Executive Engineer
Const. Divn. PWD B&R Br,
Patiala

Single Legged Utility/Cautionary/Warning Sign Board 600mmx900mm



Devmu
Executive Engineer
Const. Divn. PWD B&R Br,
Patla